



# 47 Captive Screws

Styled knob series · M4 thread size

- Designed for hand operation
- Spring ejected
- Wide variety of sizes, recesses and installation options

### Material and Finish

Ferrule:

Press-in: Hardened carbon steel, zinc plate, chromate, plus sealer

Flare-in, floating and snap-in: Aluminum, natural

Knob: Aluminum, natural or black powder coated


Knob: Aluminum, natural or black powder coated

Screw: Hardened carbon steel, zinc plated, chromate, plus sealer

### Installation Notes

See pages 392 - 393, 497

### Notes

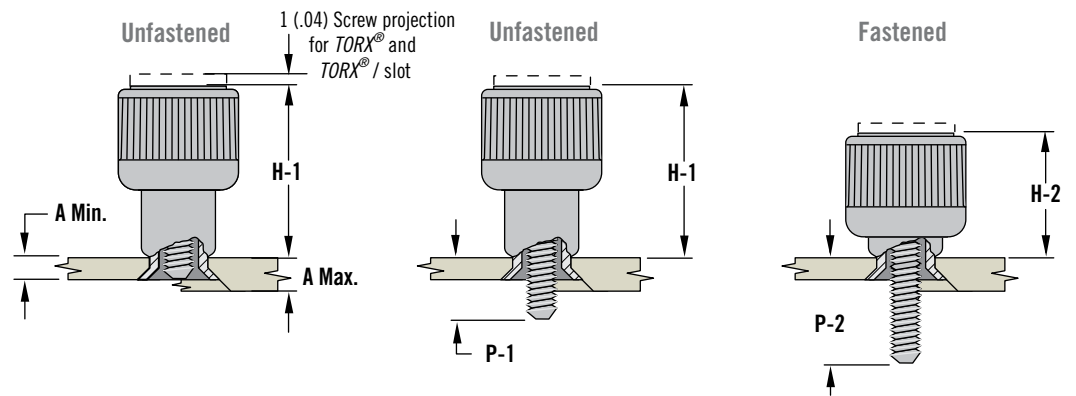
 To ensure you receive **SOUTHCO®** quality parts, look for the segmented circle

### Recess Styles

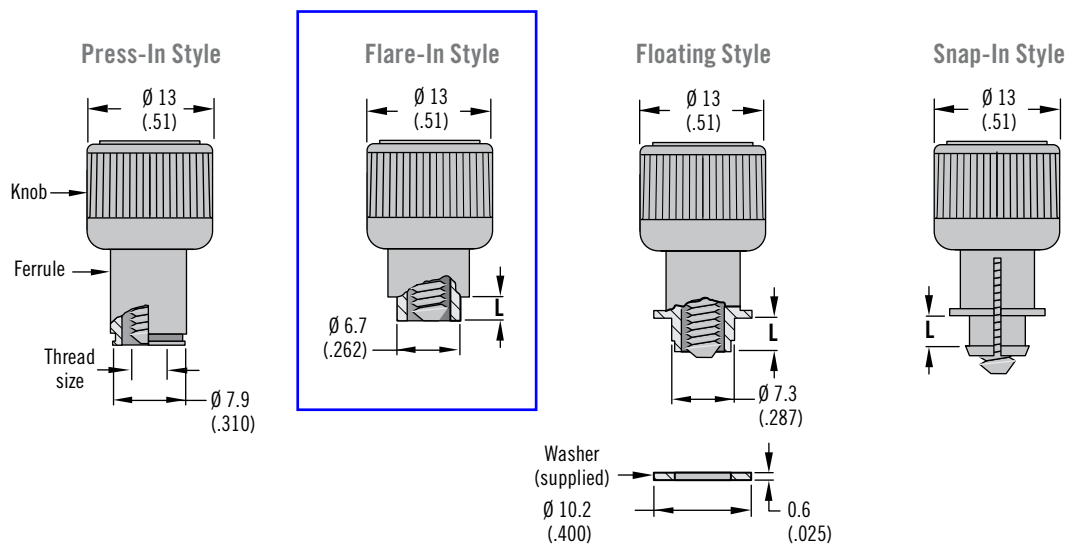


### Knob Height and Screw Projection

(Flare-in style shown)



### Installation Styles



TORX® is a registered trademark of Acument™ Intellectual Properties, LLC

Dimensions in millimeters (inch) unless otherwise stated

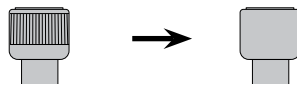
Installation Style	Knob Height		Outer Panel Dimensions		B	Total Float	Flange Length L	Screw Projection Beyond Outer Surface of Panel		Part Number				
	H-1	H-2	A Min.	A Max.				P-1	P-2	Slotted Recess	Phillips Recess	TORX® Recess	TORX® / Slot Combination	Phillips / Slot Combination
Press-In Style	16.2 (.64)	11.3 (.45)	0.9 (.036)	~	~	0.8 (.03)	~	0.6 (.02)	5.6 (.22)	47-90-301-24	47-90-321-24	47-90-341-20	47-90-361-20	47-90-381-20
								2.2 (.09)	7.2 (.28)	47-91-301-24	47-91-321-24	47-91-341-20	47-91-361-20	47-91-381-20
								3.8 (.15)	8.7 (.34)	47-92-301-24	47-92-321-24	47-92-341-20	47-92-361-20	47-92-381-20
								5.4 (.21)	10.3 (.41)	47-93-301-24	47-93-321-24	47-93-341-20	47-93-361-20	47-93-381-20
Flare-In Style	15.6 (.61)	10.5 (.41)	1.5 (.058)	3.2 (.125)	0.4 (.015)	0.9 (.03)	1.8 (.070)	1.2 (.05)	6.3 (.25)	47-80-302-14	47-80-322-14	47-80-342-10	47-80-362-10	47-80-382-10
							3.4 (.135)	2.8 (.11)	7.9 (.31)	47-80-304-14	47-80-324-14	47-80-344-10	47-80-364-10	47-80-384-10
							5 (.197)	4.4 (.17)	9.5 (.37)	47-80-306-14	47-80-326-14	47-80-346-10	47-80-366-10	47-80-386-10
							6.6 (.26)	6 (.24)	11.1 (.44)	47-80-308-14	47-80-328-14	47-80-348-10	47-80-368-10	47-80-388-10
							1.8 (.07)	2.8 (.11)	7.9 (.31)	47-81-302-14	47-81-322-14	47-81-342-10	47-81-362-10	47-81-382-10
							3.4 (.135)	4.4 (.17)	9.5 (.37)	47-82-302-14	47-82-322-14	47-82-342-10	47-82-362-10	47-82-382-10
							5 (.197)	6 (.24)	11.1 (.44)	47-83-302-14	47-83-322-14	47-83-342-10	47-83-362-10	47-83-382-10
							6.6 (.26)	4.4 (.17)	9.5 (.37)	47-81-304-14	47-81-324-14	47-81-344-10	47-81-364-10	47-81-384-10
							3.4 (.135)	6 (.24)	11.1 (.44)	47-82-304-14	47-82-324-14	47-82-344-10	47-82-364-10	47-82-384-10
							5 (.197)	6 (.24)	11.1 (.44)	47-81-306-14	47-81-326-14	47-81-346-10	47-81-366-10	47-81-386-10
Floating Style	16.2 (.64)	11.2 (.44)	~	0.8 (.031)	2.3 (.09)	2.3 (.09)	3.2 (.127)	2.4 (.09)	7.2 (.28)	47-80-310-14	47-80-330-14	47-80-350-10	47-80-370-10	47-80-390-10
							4 (.158)	4 (16)	8.8 (.35)	47-81-310-14	47-81-330-14	47-81-350-10	47-81-370-10	47-81-390-10
							4.8 (.190)	5.6 (.22)	10.4 (.41)	47-82-310-14	47-82-330-14	47-82-350-10	47-82-370-10	47-82-390-10
							4.8 (.190)	2.4 (.09)	7.2 (.28)	47-80-311-14	47-80-331-14	47-80-351-10	47-80-371-10	47-80-391-10
							5.6 (.22)	4 (16)	8.8 (.35)	47-81-311-14	47-81-331-14	47-81-351-10	47-81-371-10	47-81-391-10
			4.8 (.190)	5.6 (.22)	10.4 (.41)		47-82-311-14	47-82-331-14	47-82-351-10	47-82-371-10	47-82-391-10			
			4.8 (.190)	4 (16)	7.2 (.28)		47-80-312-14	47-80-332-14	47-80-352-10	47-80-372-10	47-80-392-10			
			5.6 (.22)	8.8 (.35)	10.4 (.41)		47-81-312-14	47-81-332-14	47-81-352-10	47-81-372-10	47-81-392-10			
			1.1 (.04)	5.6 (.22)	10.4 (.41)		47-90-310-14	47-90-330-14	47-90-350-10	47-90-370-10	47-90-390-10			
			1.1 (.044)	2.7 (.11)	7.2 (.28)		47-91-310-14	47-91-330-14	47-91-350-10	47-91-370-10	47-91-390-10			
Snap-In Style	15.7 (.62)	11.2 (.44)	0.5 (.02)	1 (.039)	2 (.079)	0.9 (.03)	1.1 (.044)	4.3 (.17)	8.8 (.35)	47-93-310-14	47-93-330-14	47-93-350-10	47-93-370-10	47-93-390-10
							1.7 (.068)	2.7 (.11)	7.2 (.28)	47-90-312-14	47-90-332-14	47-90-352-10	47-90-372-10	47-90-392-10
							2.6 (.103)	4.3 (.17)	8.8 (.35)	47-91-312-14	47-91-332-14	47-91-352-10	47-91-372-10	47-91-392-10
							2.6 (.103)	5.9 (.23)	10.4 (.41)	47-92-312-14	47-92-332-14	47-92-352-10	47-92-372-10	47-92-392-10
							2.6 (.103)	2.7 (.11)	7.2 (.28)	47-90-314-14	47-90-334-14	47-90-354-10	47-90-374-10	47-90-394-10
			2.6 (.103)	4.3 (.17)	8.8 (.35)		47-91-314-14	47-91-334-14	47-91-354-10	47-91-374-10	47-91-394-10			
			2.6 (.103)	5.9 (.23)	10.4 (.41)		47-92-314-14	47-92-334-14	47-92-354-10	47-92-374-10	47-92-394-10			

Part numbers in shaded rows (shown in table) are fully retracting in minimum panel thickness



To add a black powder coated finish, change the part number from the table as shown:

- Change 1 to 5: 47-80-102-14  
47-80-102-54
- Change 2 to 6: 47-80-102-24  
47-80-102-64



For a smooth knob, change the part number from the table as shown:

- Change 0 to 1: 47-90-161-20  
47-90-161-21
- Change 4 to 5: 47-90-101-24  
47-90-101-25

**Part Number**

See table  
 All screw part numbers shown in table are for a natural knob finish and a knurled knob  
 For black finish and smooth knob options, minimums may apply

