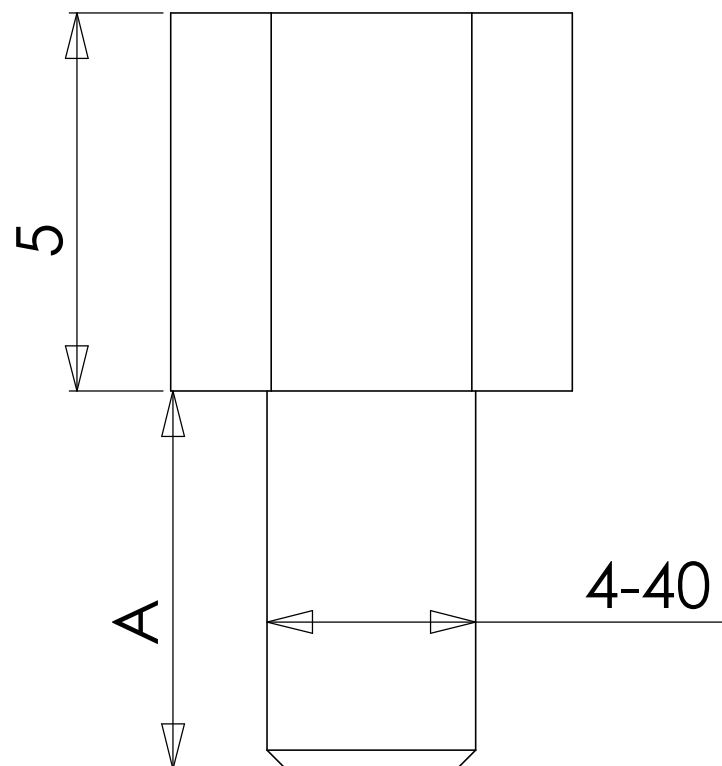
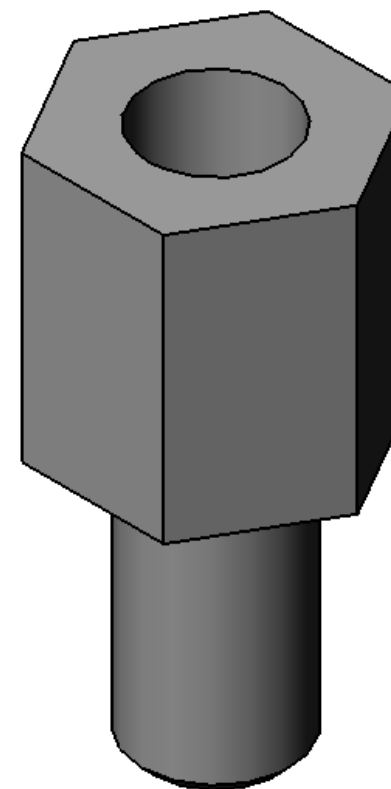
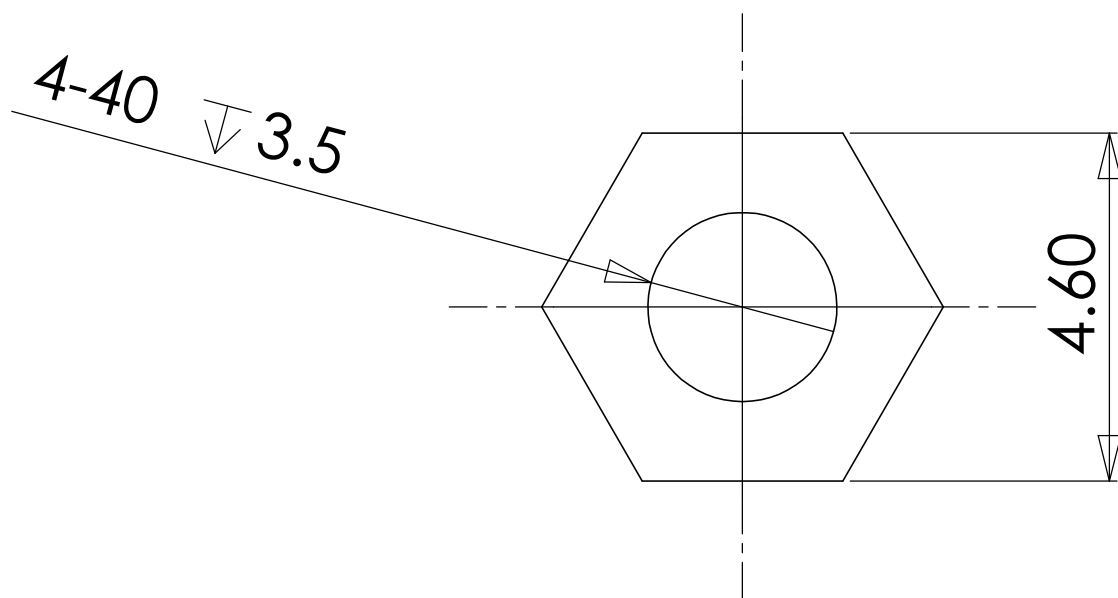


THE INFORMATION CONTAINED IN THIS DRAWING IS THE SOLE PROPERTY OF ACEA BIOSCIENCES, INC. ANY REPRODUCTION IN PART OR WHOLE WITHOUT THE WRITTEN PERMISSION OF ACEA BIOSCIENCES, INC. IS PROHIBITED.

REV.	DESCRIPTION	C.O. #	BY	DATE
X1	INITIAL ENGINEERING RELEASE		LL	2010.8.25
A	正式释放		LL	2011.9.26



A部尺寸	图号	说明	数量
5	111299-1		1
6	111299-2		
7	111299-3		



NOTES: UNLESS OTHERWISE SPECIFIED

1. INTERPRET DRAWING PER ASME Y14.5M-1994.(图纸标准根据Y14.5M-1994)

2. REMOVE BURRS AND SHARP EDGES.(去毛刺,倒锐角)

△3 . DENOTES INSPECTION DIMENSIONS.(需严格检测的尺寸)

CONFIDENTIAL

UNLESS OTHERWISE SPECIFIED DIMENSIONS ARE IN INCHES (MILLIMETERS). TOLERANCES ARE:	CAD GENERATED DRAWING. DO NOT MANUALLY UPDATE		ACEA Biosciences, Inc. 4108 SORRENTO VALLEY BLVD. SAN DIEGO, CA 92121
	APPROVALS	DATE	
MATERIAL SUS304	DRAWN LEWIS	2011/9/26	阴阳螺母柱
	CHECKED		
FINISH	ENG		SIZE B PART. NO. 111299 REV. A
	MFG		
DO NOT SCALE DRAWING	QA		SCALE 10:1 CAD FILE: 阴阳螺母柱 SH 1 OF 1