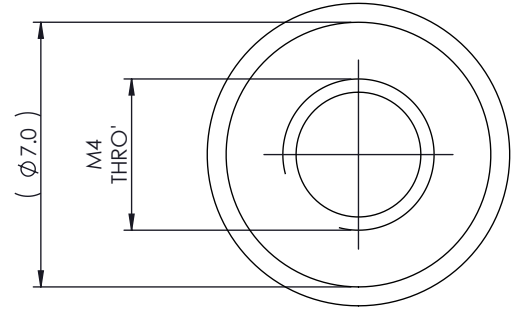
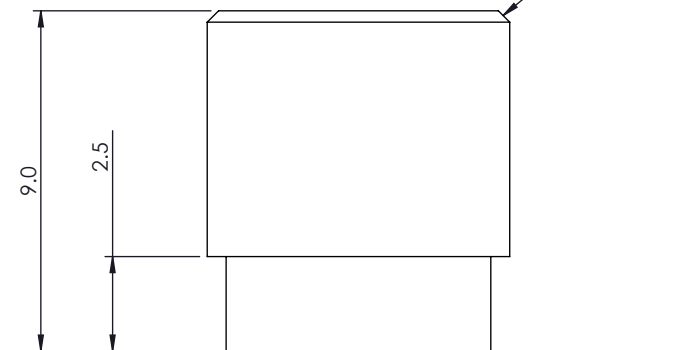
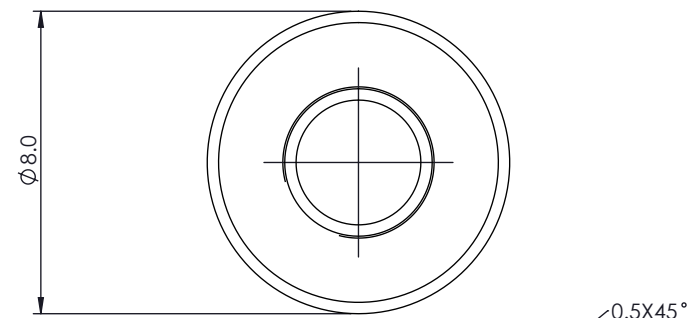
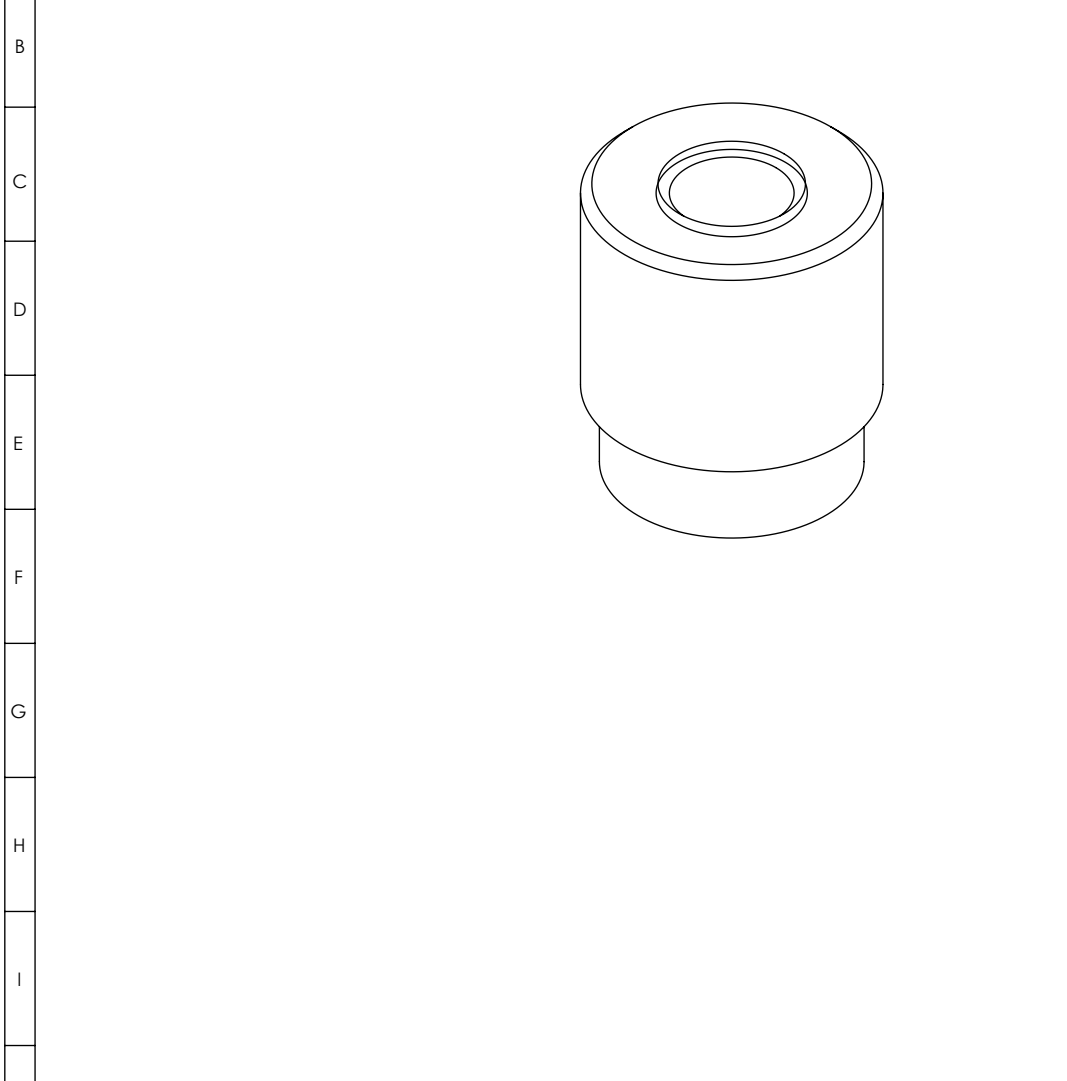


REV	DESCRIPTION	ECO NO.	BY	DATE
A	INITIAL RELEASE	C14461	IDS	08/12/2015
-	-	-	-	-
-	-	-	-	-
-	-	-	-	-



NOTES:  
 1. UNLESS OTHERWISE STATED REMOVE ALL BURRS & SHARP EDGES ENSURING THAT ALL EXTERNAL & INTERNAL EDGES, & CORNERS ARE FREE FROM TURN-UPS, NICKS OR OTHER DEFORMATIONS.

**SPI** SPI Lasers UK Ltd

3 WELLINGTON PARK,  
 HEDGE END,  
 SOUTHAMPTON,  
 SO30 2QU

© SPI Lasers UK Ltd 2015  
 ® SPI Lasers UK Ltd 2015

ALL RIGHTS RESERVED,  
 PROPRIETARY INFORMATION

ALL DIMENSIONS ARE IN MILLIMETERS (UOS)  
 REMOVE ALL SHARP EDGES AND BURRS

**DIMENSIONAL TOLERANCES (UOS)**

<u>MACHINING</u>	<u>SHEET METAL</u>
0 DECIMAL PLACE : ± 0.5	0 DECIMAL PLACE : ± 1.0
1 DECIMAL PLACE : ± 0.1	1 DECIMAL PLACE : ± 0.2
2 DECIMAL PLACES : ± 0.05	2 DECIMAL PLACES : ± 0.1
ANGULAR : ± 0.5	ANGULAR : ± 0.5
SURFACE FINISH : √	

BASIC POSITION  $\oplus \ominus \varnothing 0.2$

MATERIAL:	BRASS	DRAWN BY:	I. SANGER 08/12/2015	CHECKED BY:	J. STROUD 08/12/2015
MATERIAL SPEC:	N/A	TITLE:	BOSS M4 RED FOX DRIVER BOARD		
FINISH:	CLEAN	PART NO:	PT-M04797	REVISION:	A
A4		SCALE:	5:1	SHEET 1 OF 1	